

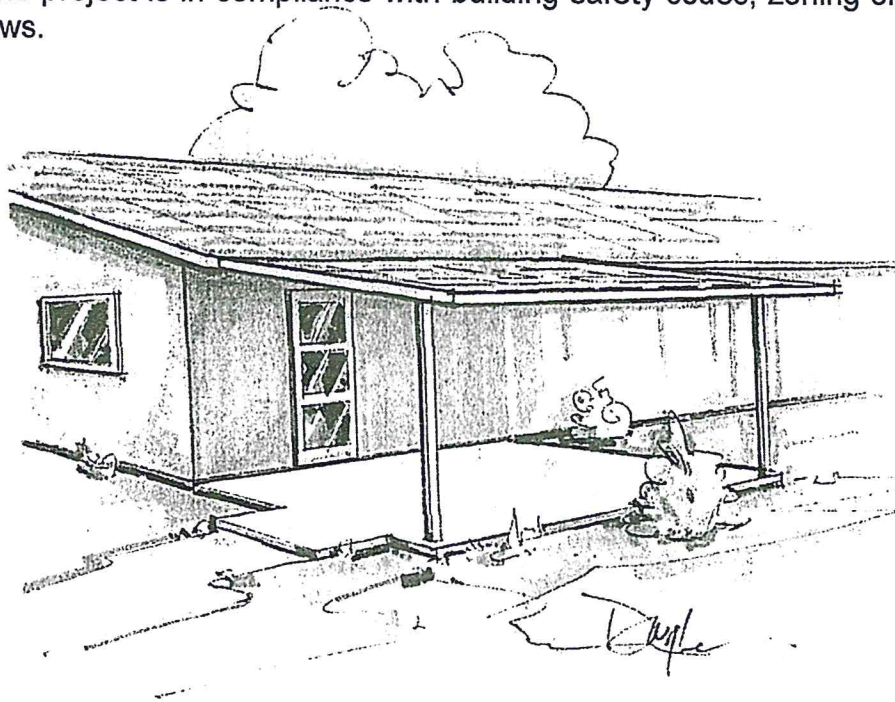
Single Family Residential Patio Covers and Carports

How to Use this Guide

Provide three sets of plans and complete the following:

1. Complete this Building Guide by filling in the blanks on page two, and indicating which construction details will be used.
2. Provide 3 Plot Plans (site plan) showing dimensions of your project or addition and its relationship to existing buildings or structures on the property and the distance to existing property lines drawn to scale
3. Fill out a building permit application.

The majority of permit applications are processed with little delay. The submitted documents will help determine if the project is in compliance with building safety codes, zoning ordinances and other applicable laws.

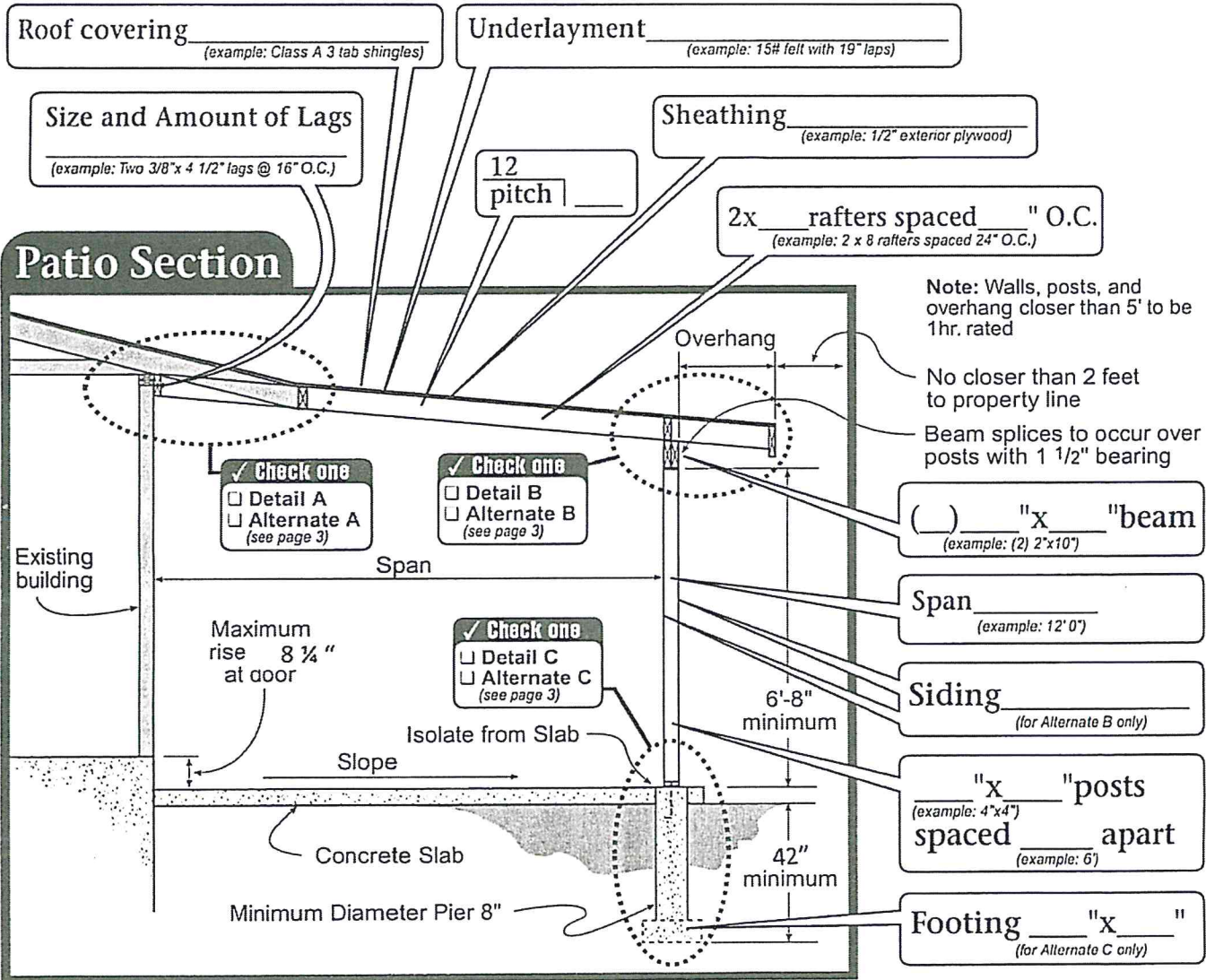


Single Family Residential Patio Covers & Carports

Directions

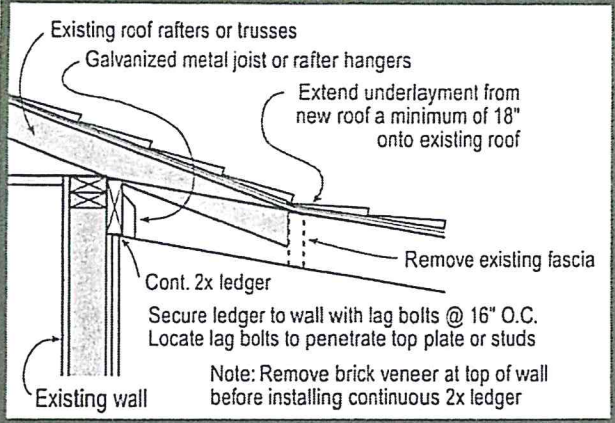
Address: _____

1. Fill in the blanks with dimensions and materials which will be used to build the structure. Please print legibly.
2. Indicate in the check boxes which details from page 3 will be used. Please note if any of the sides of your carport addition are closer than 5'-0" to the property line, that side of the carport must be enclosed with a solid 1 hour fire rated wall as shown in Alternate Details B and C. You must however, keep at least two sides of the carport open to conform to the building code requirements. Zoning approval is required.
3. Roofing to be installed per manufacturer's instructions, including low slope application and required inspections made.

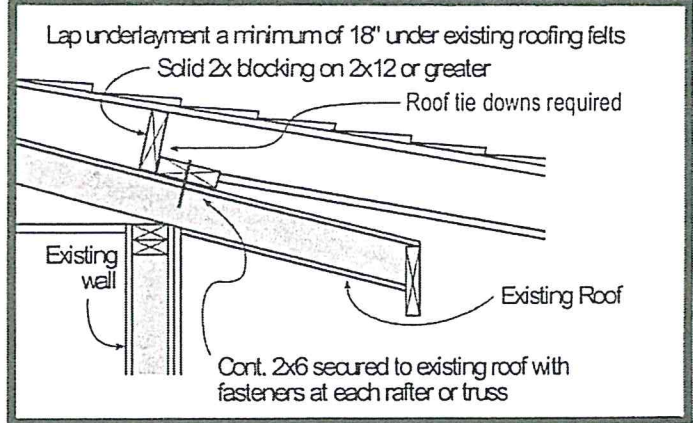


Single Family Residential Patio Covers & Carports

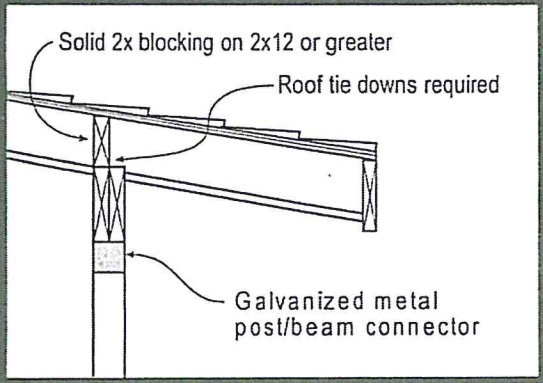
Detail A



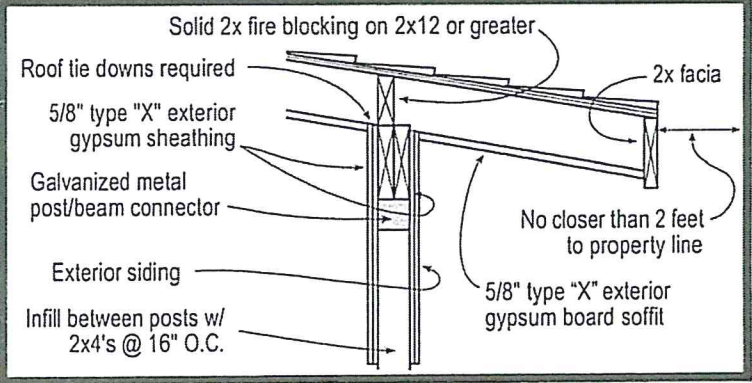
Alternate Detail A



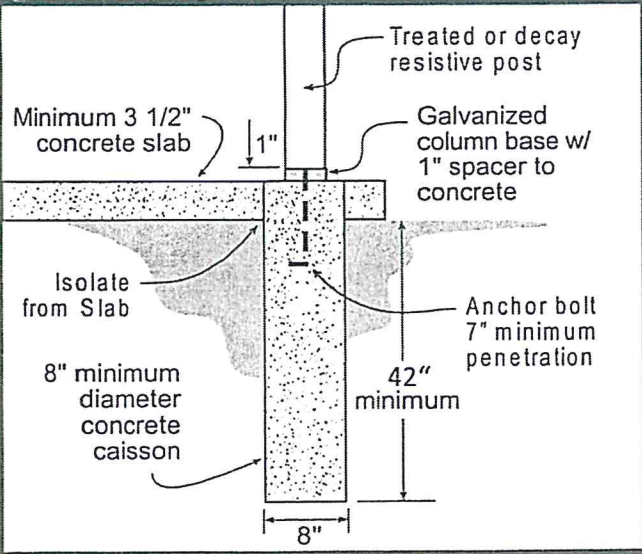
Detail B



Alternate Detail B - 1 Hour Wall



Detail C



Alternate Detail C - 1 Hour Wall

